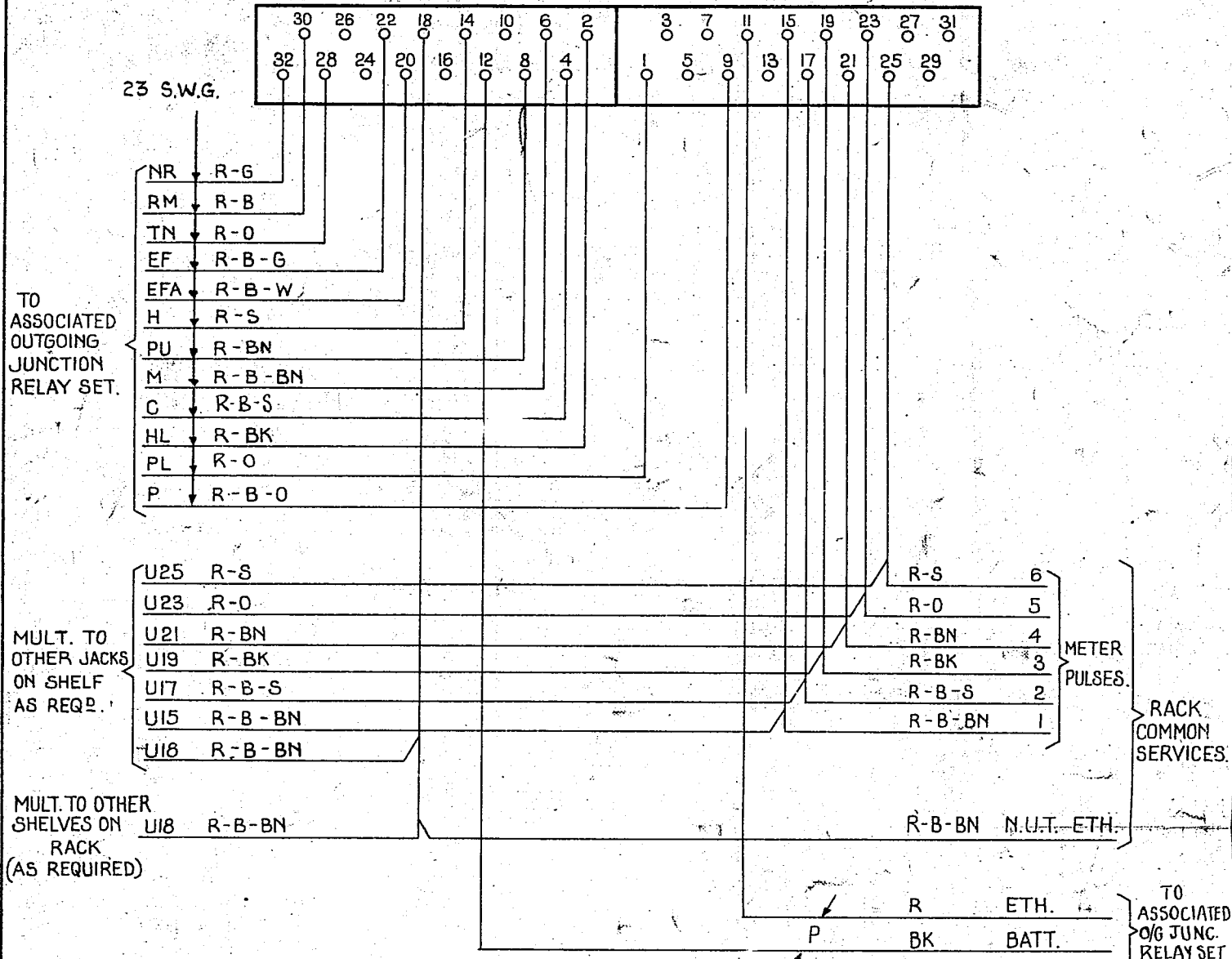


REAR VIEW.



NOTES.-

1. SHELF JACK U-POINTS 9 & 11 TO MAKE CONTACT WHEN RELAY SET IS REMOVED.
2. ALL WIRE TO BE 20 S.W.G. UNLESS OTHERWISE SPECIFIED.

				MULTI-FEE RELAY SET	
				WITH	
				RURAL PARTY DISCRIMINATION	
				A.M.X	
(6800)				1	17-10-56
AMENDMENT PARTICULARS		ISSUE	DATE	APPD	50V C
N.Z.P.O.		S.G.C.		GBU	14820

Centimetres

