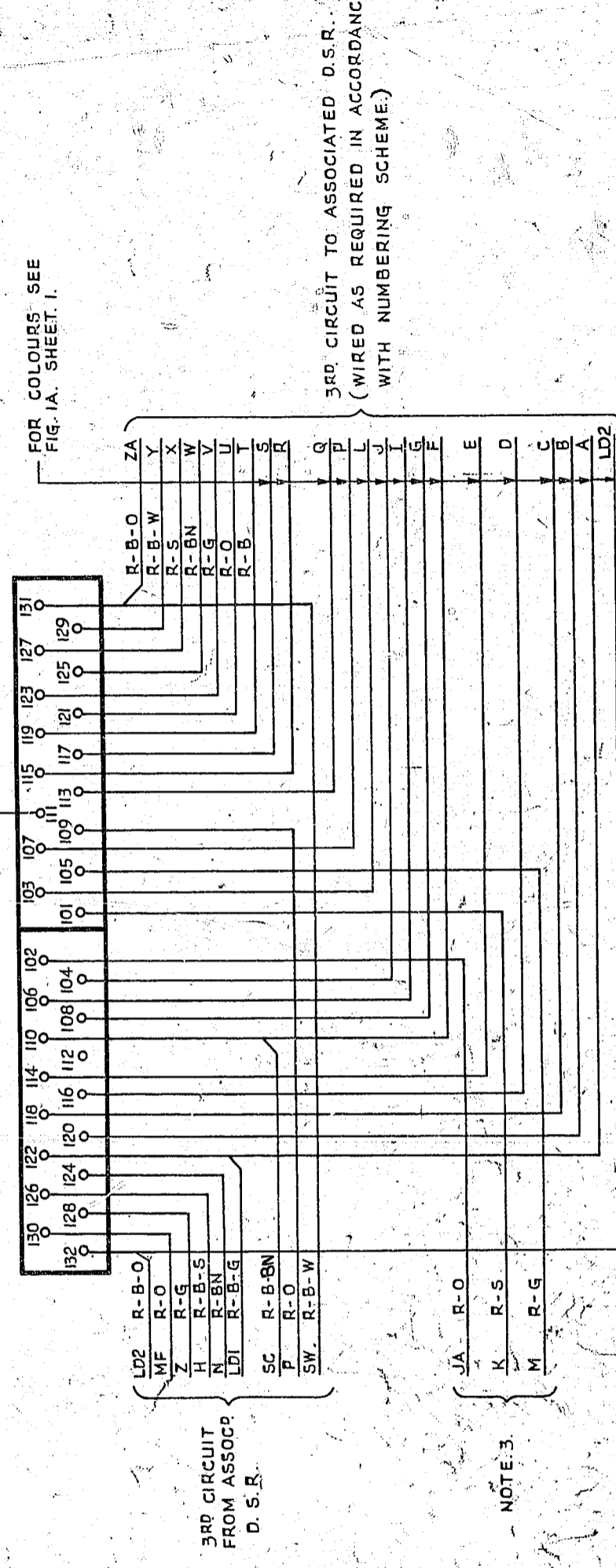
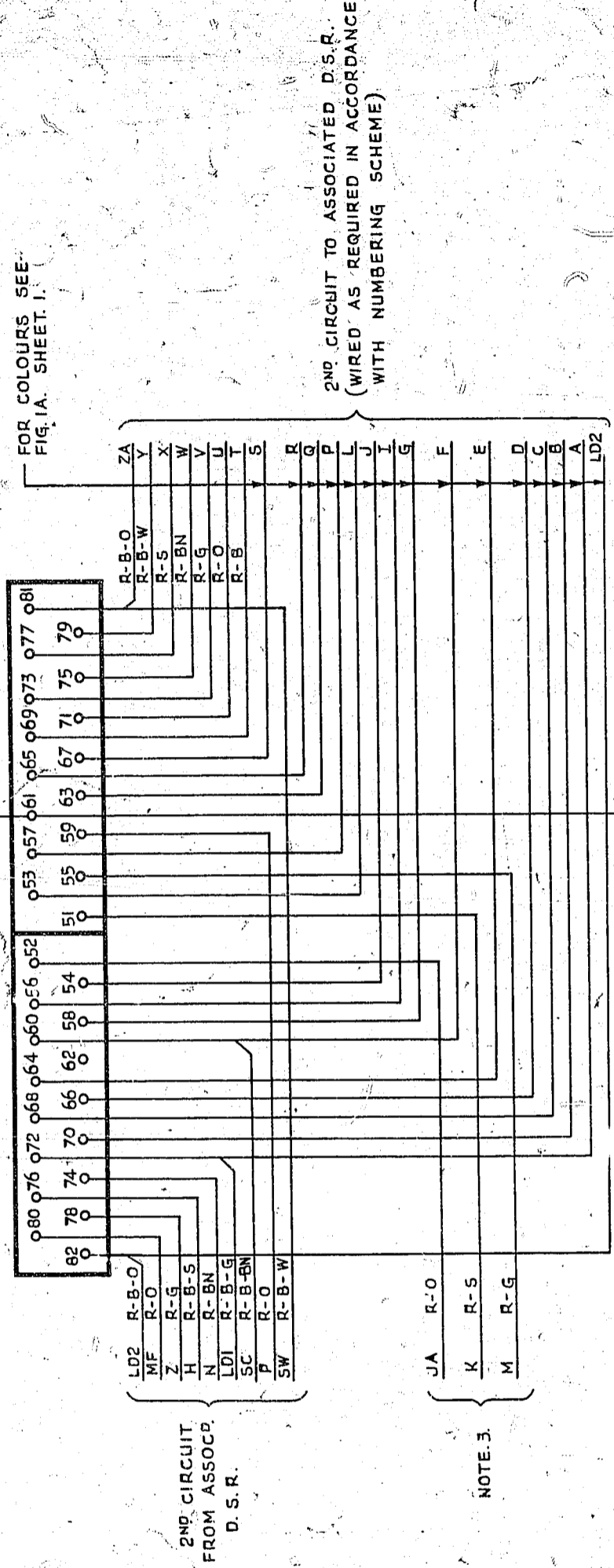
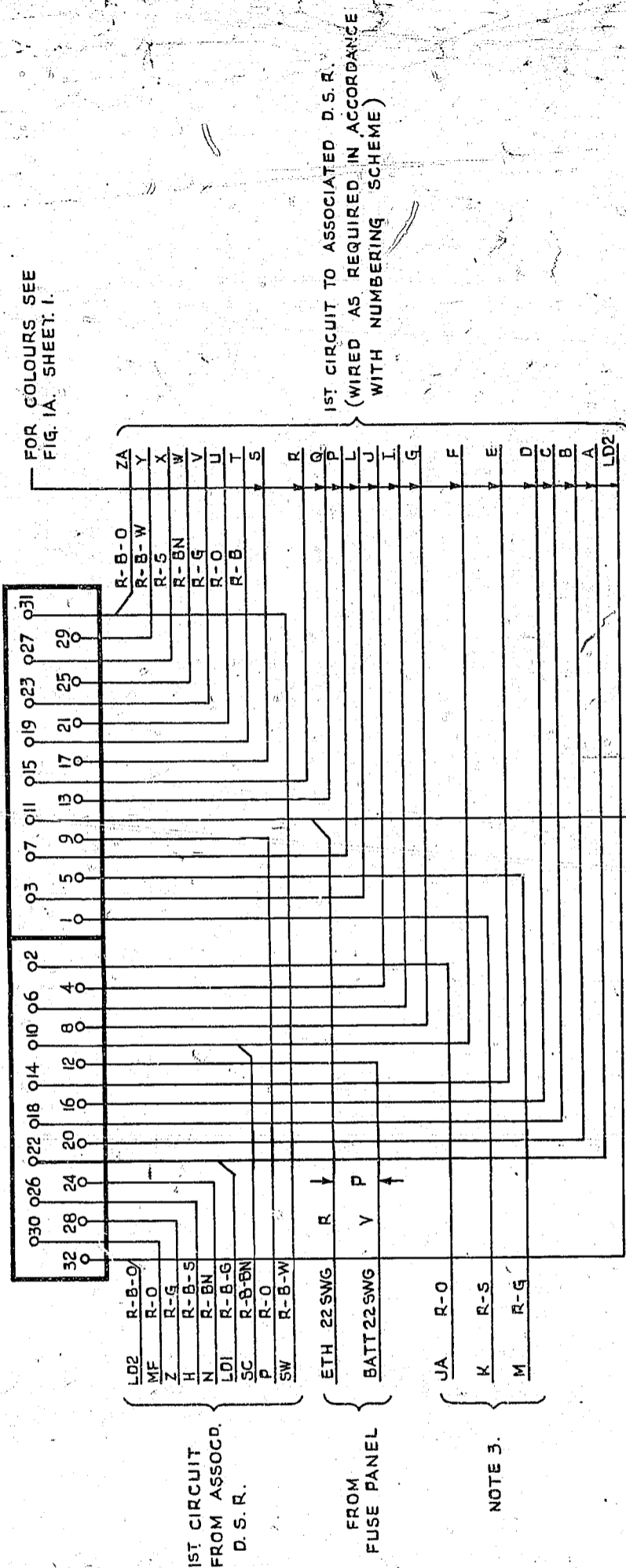


0 5 Centimetres 10 15 20 25 30

AS SEEN FROM REAR.



NOTES:-

- ALL WIRING TO BE 25 SWG. UNLESS OTHERWISE SPECIFIED.
- JACK-POINTS U9 & U11, U59 & U61, U109 & U111 TO MAKE CONTACT WHEN RELAY SET IS REMOVED.
- LEADS M, K & JA ARE LOOPED TO POINTS ON SAME SHELF JACK AS REQUIRED IN ACCORDANCE WITH NUMBERING SCHEME.
- ON SOME EARLY EQUIPMENT BATTERY WIRING IS BK.

AMENDMENT PARTICULARS.	ISSUE	DATE	APPR.
NOTE 4 & DGM. NO 10424 ADDED (13432)	11	28-11-69	Rw
NO CHANGE. ISSUE ADVANCED ONLY (26621)	10	1-9-66	
10423 ADDED TO DGM NUMBER (89768)	9	3-8-64	
NO CHANGE ISSUE ADVANCED ONLY (69524)	8	20-11-63	
ADDITIONAL LD2 LEADS ADDED (63507)	7	12-6-62	
NO CHANGE. ISSUE ADVANCED ONLY (41795)	6	26-5-61	
	(31668)	15	4-5-54

DISCRIMINATING SELF REPEATER
REGULAR & PARTY LINE
200 OUTLET
2000-TYPE.

50V E

GBU 10420 10423
10421 10424
10422

SHEET 3-3

FIG. 1D.
DISCRIMINATING RELAY SET.

ABSORBS 1ST & 2ND DIGIT
DISCRIMINATES ON 1ST, 2ND & 3RD
(3 CIRCUITS PER BASE.)